

TECHNOLOGY FOR THE WELDER'S WORLD.



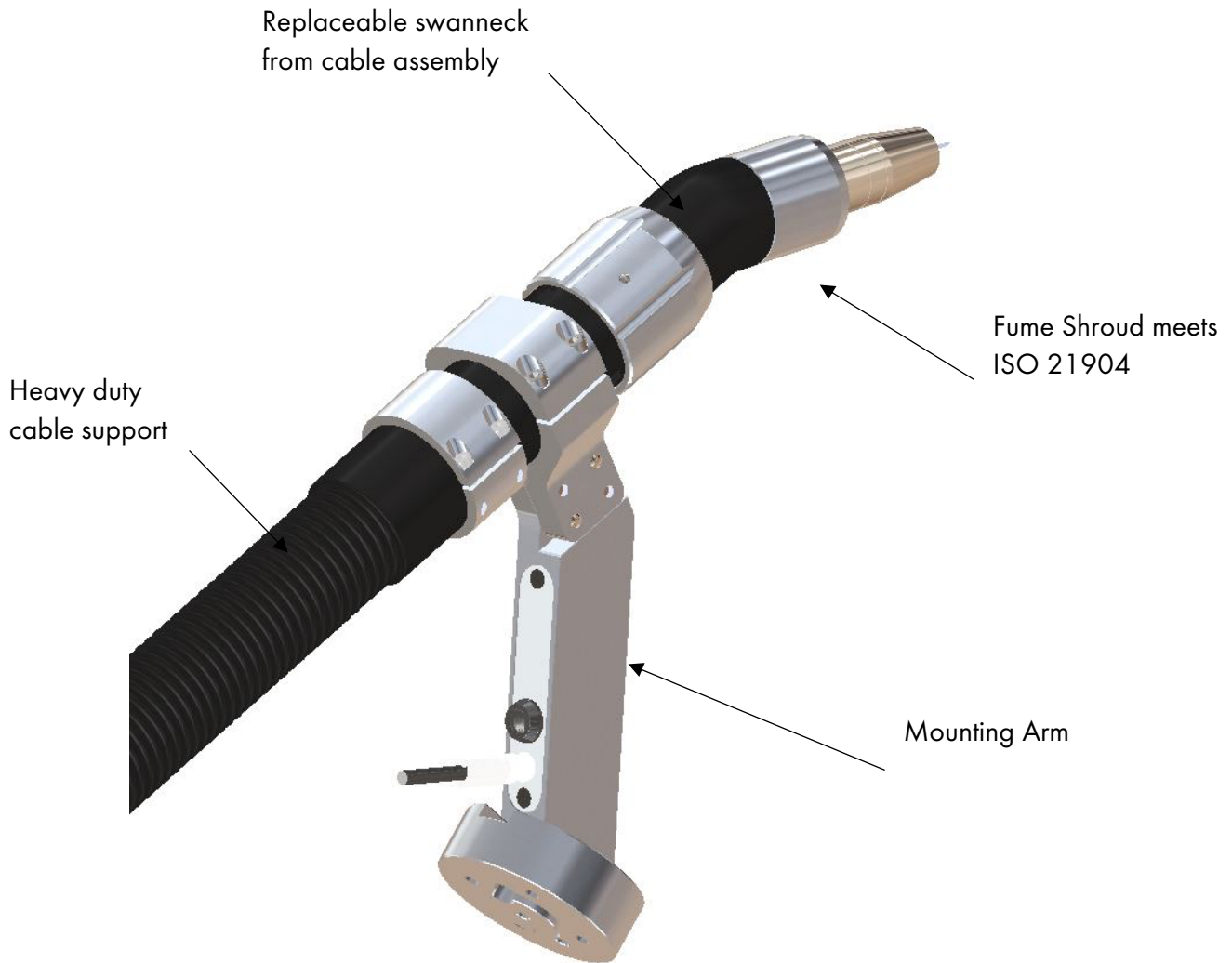
# **xFUME<sup>®</sup> ABIROB<sup>®</sup> AF500**



[www.binzel-abicor.com](http://www.binzel-abicor.com)

# xFUME® ABIROB® AF500

The xFUME® ABIROB AF500 is an integrated fume extraction air cooled torch made for use with Cobot and some Industrial Robot welding applications. It provides fume extraction directly at the source. Used in conjunction with xFume® Advance extractors, the torch meets or exceeds ISO 21904 standards. Direct mounts allow xFUME® ABIROB AF500 torches to connect to most major wire feed models.



Standard	Options
Air Cooled; 450A w/mixed gases	Neck Angle: 22, 180 or 45 (coming soon)
TCP 360	Back End: Lincoln, Miller, Euro
Mount Handle: UR Cobot and Fanuc CRX10	Std Cable Lengths: 9' (2.743m), 12' (3.657m) or 15' (4.572m)
M8 Contact tip: std 5/8" flush conical nozzle	Wire Size (inches) .030, .035, .045, .052, .062
	Wire Type: Steel/SST or Aluminum

# xFUME® ABIROB® AF500

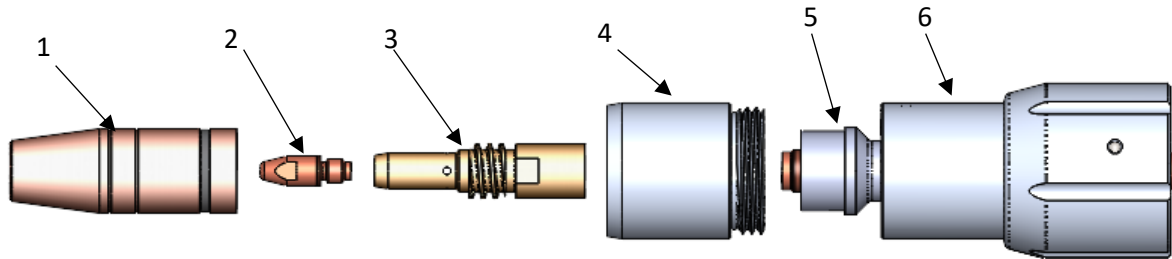
## Ordering Instructions for Complete xFUME® ABIROB®

<b>XFA500 - 90</b>		<b>22</b>	<b>L</b>	<b>X</b>	-	<b>X</b>
<b>Torch Model</b>	<b>Cable Length</b>	<b>Swanneck Angle</b>	<b>Back End</b>	<b>Control Connector</b>		<b>Options</b>
<b>Torch Model</b> XFA500 - 450 AMP xFUME® Air Cooled						<b>Options</b> X - None
<b>Cable Length</b> 90 - 9 Feet 12 - 12 Feet 15 - 15 Feet						<b>Control Connector</b> X - None
<b>Swanneck Angle</b> 22 - 22 Degree Bend 45 - 45 Degree Bend* 18 - 180 Degree Bend *Coming Soon						<b>Back End</b> E - Euro L - Lincoln M - Miller C - OTC

# xFUME® ABIROB® AF500

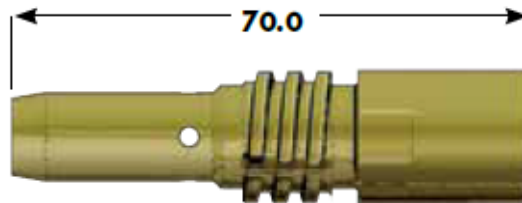
## Front End

Quick-change the swan neck or consumables while maintaining tool center point (TCP)



ITEM NO	DESCRIPTION	SPECIFICATIONS	PART NO
1	NOZZLE		See Page 5
2	CONTACT TIP		See Page 5
3	DIFFUSERS/TIP HOLDERS		See Below
4	FUME SHROUD		983.0018
5	SWANNECK	180 Degree	983.0027
5	SWANNECK	22 Degree	983.0028
5	SWANNECK	45 Degree	CONTACT SALES
6	FUME TUBE	180 Degree	983.0015
6	FUME TUBE	22 Degree	983.0017
6	FUME TUBE	45 Degree	CONTACT SALES

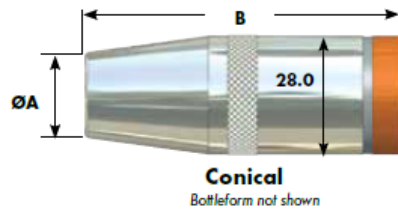
## Diffusers/Tip Holders



DESCRIPTION	PART NO
Tip Holder for M8 Contact Tip	142.0158
Tip Holder for M6 Contact Tip	142.0159

# xFUME® ABIROB® AF500

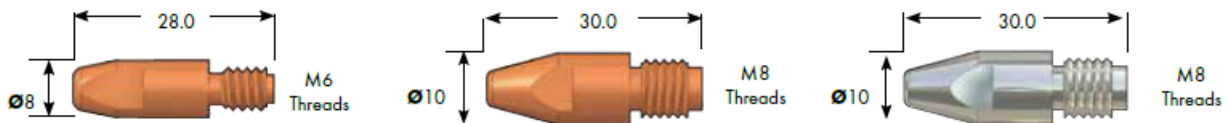
## Consumables: Nozzles and Contact Tips



DESCRIPTION	DIMENSION A		DIMENSION B		PART NO	REAMER	CLAMP SET	V-BLOCK
	INCH	METRIC	INCH	METRIC				
Conical - Flush	5/8"	16mm	2.95"	75mm	148.0580	831.0488	831.0148	831.0318
Conical - Recess 2mm	5/8"	16mm	3.03"	77mm	145.0581	831.0488	831.0148	831.0318
Conical - Stickout 3mm	5/8"	16mm	2.83"	72mm	* 145.0582	** 831.0591	831.0148	831.0318
Conical - Flush	1/2"	13mm	2.95"	75mm	* 145.0589	** 831.0180	831.0148	831.0318
Conical - Recess 2mm	1/2"	13mm	3.03"	77mm	* 145.0590	** 831.0180	831.0148	831.0318
Conical - Stickout 3mm	1/2"	13mm	2.83"	72mm	* 145.0591	831.0169	831.0148	831.0318
Bottleform - Flush	9/16"	14mm	2.95"	75mm	145.0586	831.0592	831.0148	831.0318
Bottleform - Recess 2mm	9/16"	14mm	3.03"	77mm	145.0587	831.0592	831.0148	831.0318
Bottleform - Stickout 3mm	9/16"	14mm	2.83"	72mm	145.0588	831.0593	831.0148	831.0318
Bottleform - Flush	5/8"	16mm	2.95"	75mm	145.0583	831.0488	831.0148	831.0318
Bottleform - Recess 2mm	5/8"	16mm	3.03"	77mm	145.0584	831.0488	831.0148	831.0318
Bottleform - Stickout 3mm	5/8"	16mm	2.83"	72mm	145.0585	831.0591	831.0148	831.0318

\* M6 Tips are recommended for use with this nozzle.

\*\* For use with M6 tips. Optional reamer for standard M8 tips is part number 831.0413.



STYLE	INCH/METRIC	M6 PART NO	M8 PART NO	STYLE	INCH/METRIC	M6 PART NO	M8 PART NO
E-CU	.030/0.8mm	140.0051	140.0114	CuCrZr	.035/0.9mm	140.0172	140.0217
E-CU	.035/0.9mm	140.0169	140.0214	CuCrZr	.045/1.2mm	140.0382	140.0445
E-CU	.045/1.2mm	140.0379	140.0442	CuCrZr	.052/1.4mm	140.0519	140.0536
E-CU	.052/1.4mm	140.0546	140.0533	CuCrZr	.062/1.6mm	140.0558	140.059
E-CU	.062/1.6mm	140.0555	140.0587	CZ Silver Plated	.030/0.8mm	147.0054	147.0117
E-CU for Aluminum	.030/0.8mm	141.0001	141.0003	CZ Silver Plated	.035/0.9mm	147.0174	147.0217
E-CU for Aluminum	.035/0.9mm	141.0004	141.0043	CZ Silver Plated	.045/1.2mm	147.0382	147.0445
E-CU for Aluminum	.045/1.2mm	141.001	141.0075	CZ Silver Plated	.052/1.4mm	147.0519	147.0536
E-CU for Aluminum	.062/1.6mm	141.002	141.0022	CZ Silver Plated	.062/1.6mm	147.0558	147.059
CuCrZr	.030/0.8mm	140.0054	140.0117				

# xFUME® ABIROB® AF500

## Liners

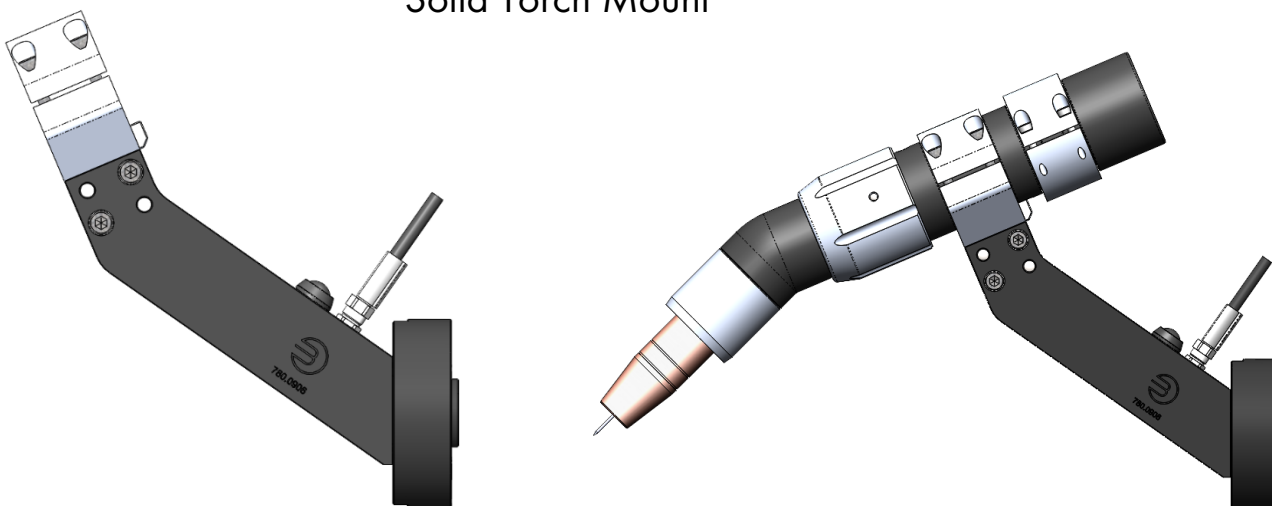


DESCRIPTION	WIRE SIZE	LENGTH	PART NO
LINER STEEL INS .035-.045" 17' A4 PT (STEEL WIRE)	.035"-.045"/0.9-1.2mm	17ft	SI4-3545-17PT
LINER STEEL INS .052-.062" 17' A4 PT (STEEL WIRE)	.052"-.062"/1.4-1.6mm	17ft	SI4-5262-17PT
LINER COMBI PA .040-.045" 17' (ALUMINUM WIRE)	.035"-.045"/0.9-1.2mm	17ft	128.9047*
LINER COMBI PA .045-.062" 17' (ALUMINUM WIRE)	.052"-.062"/1.4-1.6mm	17ft	128.9050*
LINER C-TFE .035-.045" 17' (SST WIRE)	.035"-.045"/0.9-1.2mm	17ft	127.9003*
LINER C-TFE .052-.062" 17' (SST WIRE)	.052"-.062"/1.4-1.6mm	17ft	127.9006*

\*Requires collet spacer P/N 130.9006. Item sold separately.

## Mounting Arms

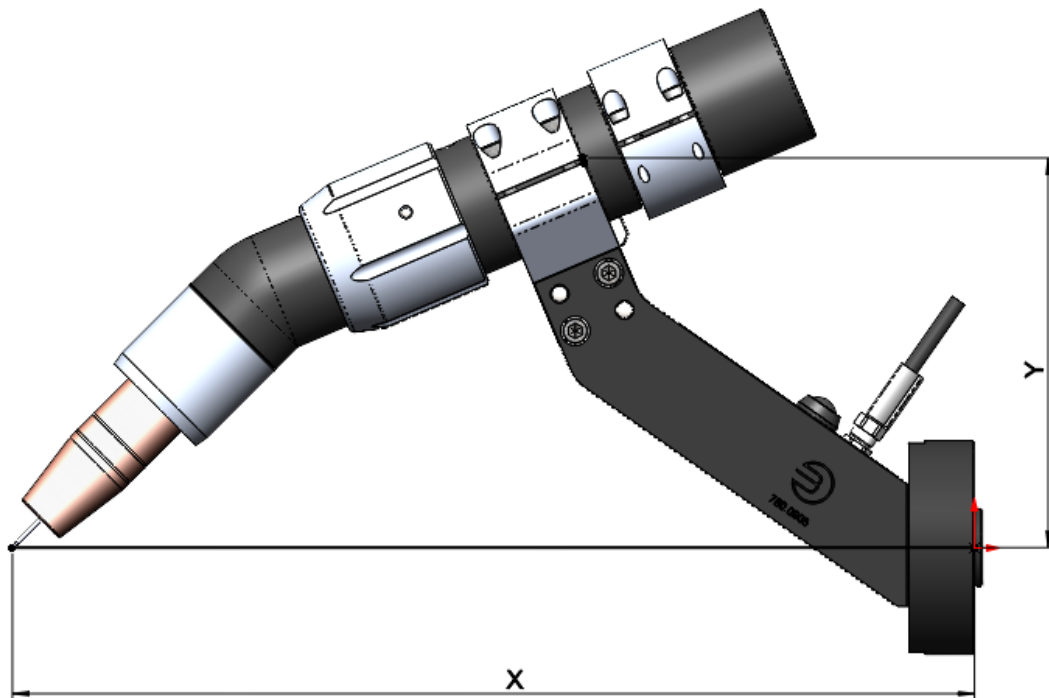
### Solid Torch Mount



DESCRIPTION	SWANNECK	PART NO
Mount Arm AF500 EasyTeach Three Button; TCP=360	22 Degree	780.0926
Mount Arm AF500 Freedrive Single Button; TCP=360	22 Degree	780.0927

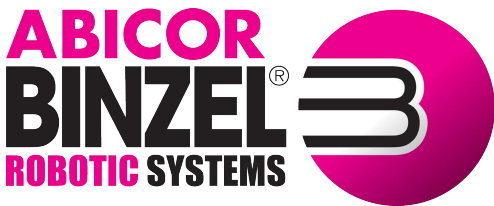
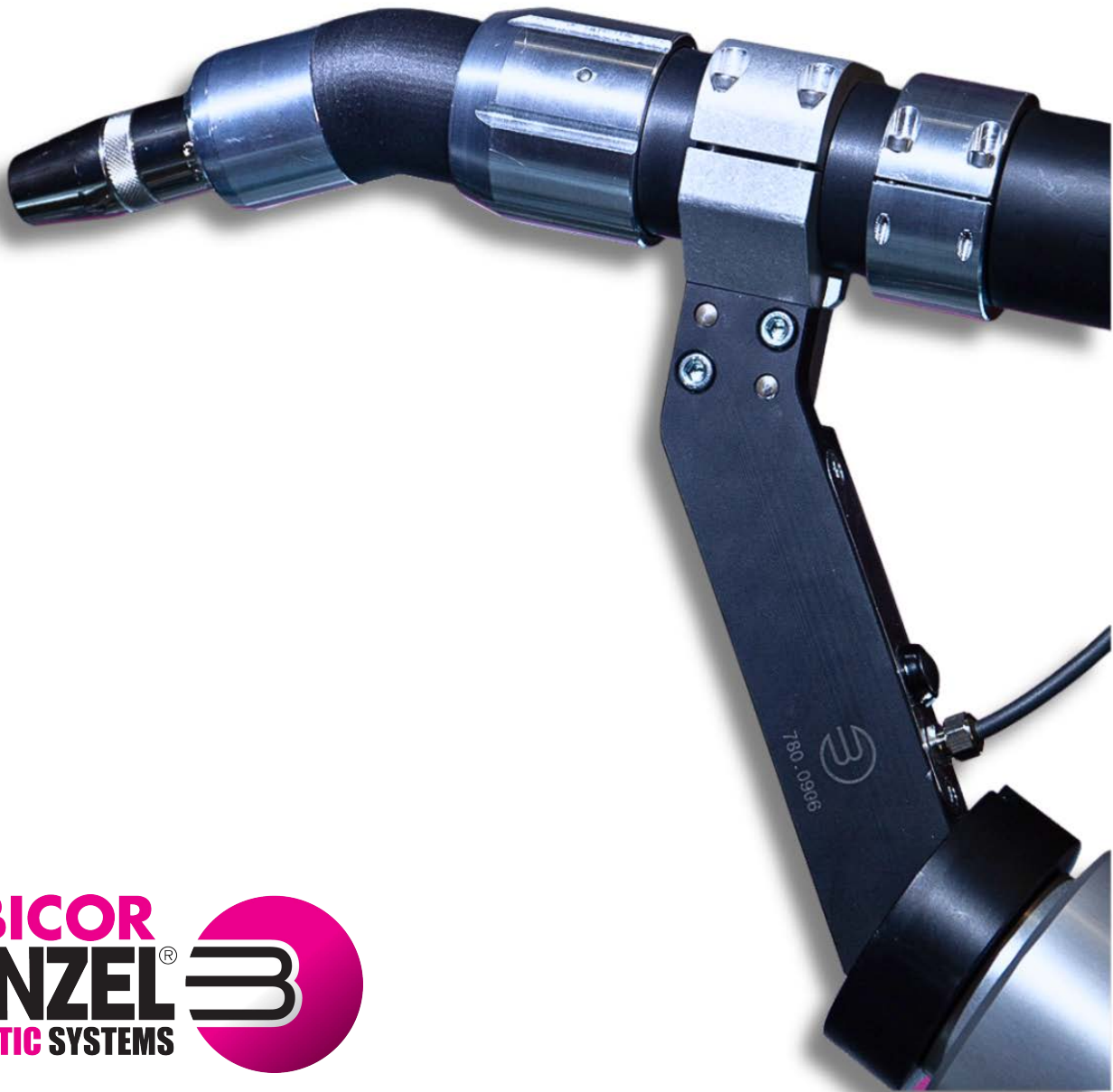
# xFUME® ABIROB® AF500

## Tool Center Point



DESCRIPTION	SWANNECK	TCP (X)	Y
Solid Torch Mount	180 Degree	14.2"/360mm	-
Solid Torch Mount	22 Degree	14.2"/360mm	5.7"/145.6mm
Solid Torch Mount	45 Degree *	15.75"/400mm	-

\*Coming Soon



Abicor Binzel USA Inc.  
650 Medimmune Court, Suite 110  
Frederick, MD 21703  
Phone: 800.542.4867  
Fax: 301.846.4497  
E-mail: customerservice@abicorusa.com

[www.binzel-abicor.com](http://www.binzel-abicor.com)

LIT.9285

