

DELTA-MIG® Lightweight

Air-cooled MIG Torches

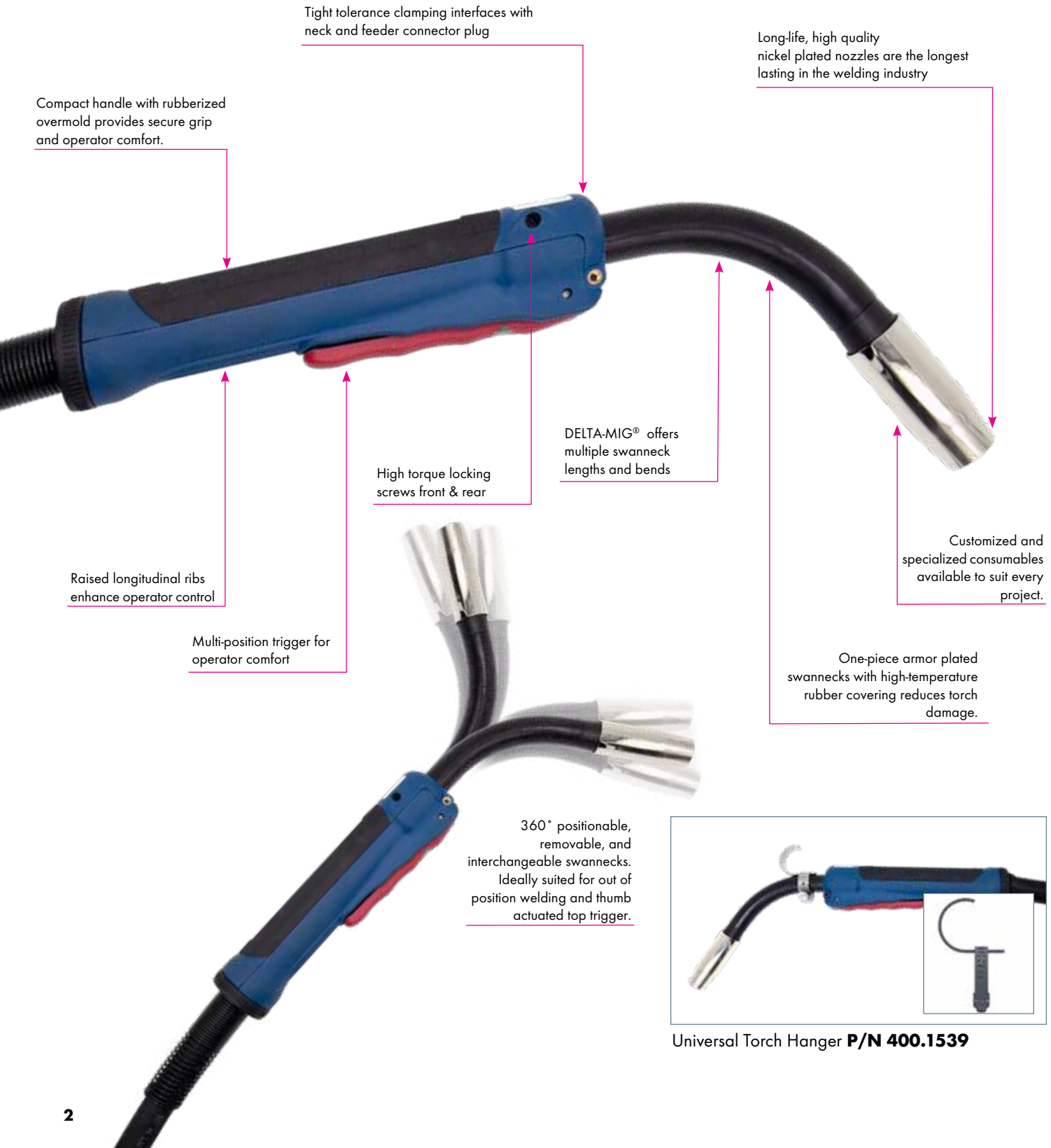


DELTA-MIG® Series Air-Cooled MIG Torches

Medium to Heavy-duty Welding Guns - Up to 480 amp

DELTA-MIG® is made for welders who give their guns a serious test. Tough and strong, with a unique modular build, DELTA is perfect for welders who demand robust construction that is light and friendly on the hands and easy to operate on the trigger.

DELTA-MIG® series torches are available with various configurations based on handle styles, amperage, length of swannecks, cable length, wire size and rear end connection. Refer to the detailed instructions on page 4 to determine the DELTA-MIG® part number that best suits your requirements. If you have any questions, please contact Technical Support at 1.800.542.4867.



Tight tolerance clamping interfaces with neck and feeder connector plug

Long-life, high quality nickel plated nozzles are the longest lasting in the welding industry

Compact handle with rubberized overmold provides secure grip and operator comfort.

DELTA-MIG® offers multiple swanneck lengths and bends

High torque locking screws front & rear

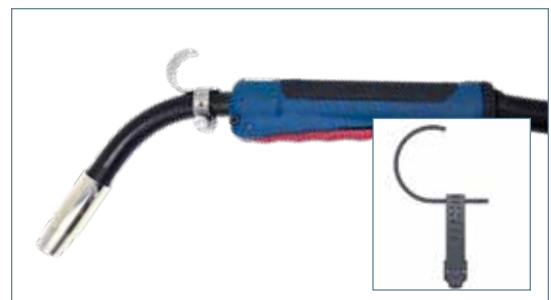
Customized and specialized consumables available to suit every project.

Raised longitudinal ribs enhance operator control

Multi-position trigger for operator comfort

One-piece armor plated swannecks with high-temperature rubber covering reduces torch damage.

360° positionable, removable, and interchangeable swannecks. Ideally suited for out of position welding and thumb actuated top trigger.



Universal Torch Hanger **P/N 400.1539**

DELTA-MIG® Series Air-Cooled MIG Torches



DELTA-MIG® 3

with Hytrel® cable

Rating: 350 Amp Co2
300 Amp Mixed
60% Duty Cycle

Wire Sizes: .035"-.062" (0.9mm-1.6mm)

Rated using power source with VDE standard volt/amp characteristic $[V=(Ax0.05) + 14]$
When pulse welding, reduce rating by 35%

DELTA-MIG® 3LW

Light Weight Rubber cored cable

Rating: 300 Amp Co2
270 Amp Mixed
60% Duty Cycle

350 Amp Co2
320 Amp Mixed
35% Duty Cycle

Wire Sizes: .035"-.062" (0.9mm-1.6mm)

Rated using power source with VDE standard volt/amp characteristic $[V=(Ax0.05) + 14]$
When pulse welding, reduce rating by 35%

DELTA-MIG® 4

with Hytrel® cable

Rating: 450 Amp Co2
400 Amp Mixed
60% Duty Cycle

Wire Sizes: .035"-.094" (0.9mm-2.4mm)

Rated using power source with VDE standard volt/amp characteristic $[V=(Ax0.05) + 14]$
When pulse welding, reduce rating by 35%

DELTA-MIG® 4LW

Light Weight Rubber cored cable

Rating: 390 Amp Co2
300 Amp Mixed
60% Duty Cycle

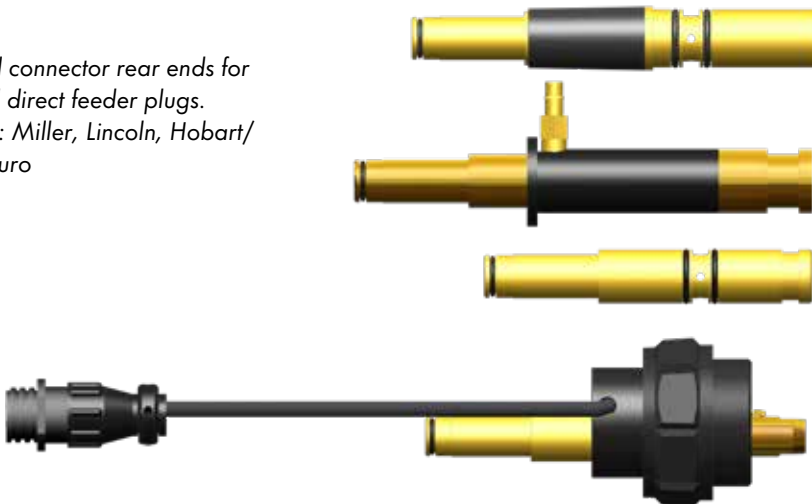
480 Amp Co2
400 Amp Mixed
35% Duty Cycle

Wire Sizes: .035"-.094" (0.9mm-2.4mm)

Rated using power source with VDE standard volt/amp characteristic $[V=(Ax0.05) + 14]$
When pulse welding, reduce rating by 35%



Universal connector rear ends for Euro and direct feeder plugs.
From top: Miller, Lincoln, Hobart/
Tweco, Euro



DELTA-MIG® Air-Cooled

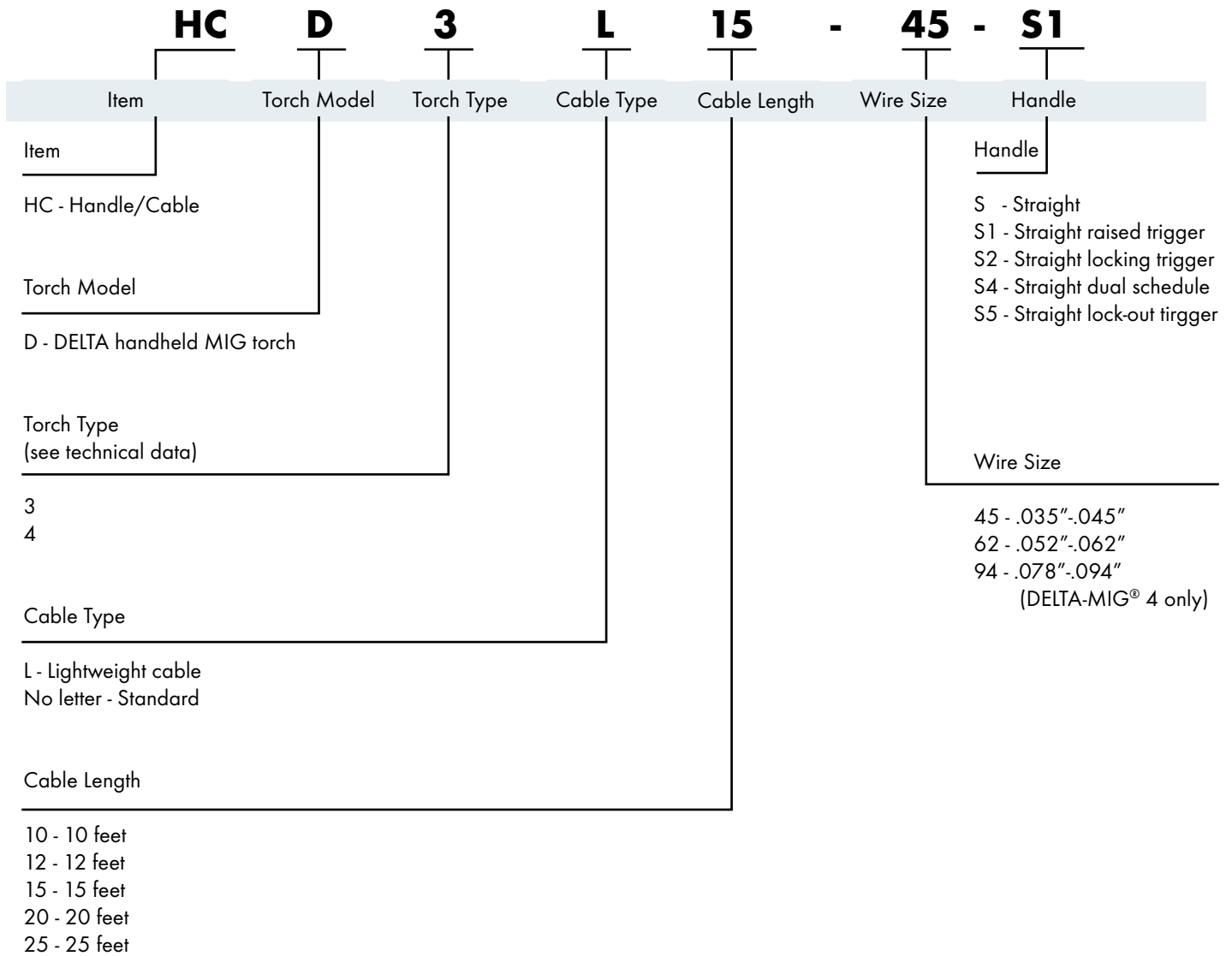
Ordering Instructions for Complete DELTA-MIG® Torches

DELTA-MIG® Series MIG-Torches are available in 350 and 450 amperes with various configurations based on handle style, neck length, wire size, cable length and feeder connection. Refer to the detailed instruction below to determine the DELTA-MIG® part number that best suits your requirements. If you have any questions, please contact customer service at 1.800.542.4867.

D	3	L	15	-	6	45	-	E	S				
Torch Model/Type		Cable Type		Cable Length		Neck		Wire Size		Feeder		Handle	
Torch Model												Handle	
D - DELTA handheld MIG torch												S - Straight S1 - Straight raised trigger S2 - Straight locking trigger * S3 - Straight dual schedule 3-wire ** S4 - Straight dual schedule 4-wire S5 - Straight lock-out trigger	
Torch Type (see technical ratings)												Feeder	
3 4												E - Euro L - Lincoln 7 Style external gas L1 - Lincoln 10, Powerfeed 74 & 84 HT - Tweco 4 5/8" internal gas M - Miller L2 - LN Powermig	
Cable Type													
L - Lightweight cable No letter - Standard													
Cable Length													
10 - 10 feet 12 - 12 feet 15 - 15 feet 20 - 20 feet 25 - 25 feet													
Neck													
6 - 60 degree 6S - 60 degree short													
								Wire Size					
								35 - .035" (DELTA-MIG® 3 only) 45 - .045" 62 - .062" 94 - .094" (DELTA-MIG® 4 only)					

*Handle option S3 is only available with feeder option M (Miller).
 **Handle option S4 is only available with feeder options L (Lincoln), L1 (Lincoln 10) and M (Miller).
 ***Handle option S3 & S4 not available with Euro Feeder.

Ordering Instructions for Handle/Cable Assemblies



Weld Cable Cover

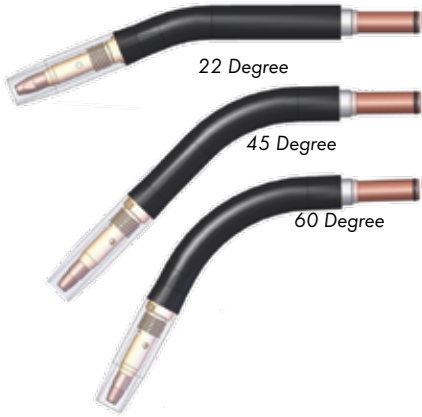


Features & Benefits

- 1000 Denier Cordura with flame retardant coating
- Extremely lightweight
- Continuous temp rating: +250°F
- Momentary temp rating: 800°F
- Excellent UV protection
- Unaffected by water, oils, and mild solvents
- Excellent resistance to abrasion, weld spatter, puncture and tear resistance

Necks and Consumables

Threaded



Swannecks Swanneck assemblies include swanneck, PTFE collar, tip holder/diffuser, contact tip, and nozzle.

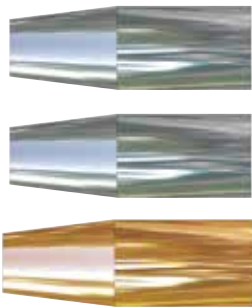
Description	DELTA-MIG® 3 Part No.	DELTA-MIG® 4 Part No.
Swanneck Assy Threaded 60 degree, M8	M3T-60	M4T-60
Swanneck Assy Threaded 45 degree, M8	M3T-45	M4T-45
Swanneck Assy Threaded 22 degree, M8	M3T-22	M4T-22
Swanneck Assy Threaded 60 degree short, M8	M3T-60S	M4T-60S
Swanneck Assy Threaded HD 60 degree, M10	–	M4T-60-HD
Swanneck Assy Threaded HD 45 degree, M10	–	M4T-45-HD
Swanneck Assy Threaded HD 22 degree, M10	–	M4T-22-HD
Swanneck Assy Threaded HD 60 degree short, M10	–	M4T-60S-HD

Flex Necks Includes swanneck, PTFE collar, tip holder/diffuser, contact tip, nozzle and neckliner.

Description	DELTA-MIG® 3 Part No.	DELTA-MIG® 4 Part No.
Swanneck Assy Threaded Flexible, Inc. neckliner, M8	M3T-FX	–
Required Neckliner Steel Flex Neck .035"-.045"	NLS-FX-3545	–
Required Neckliner Steel Flex Neck .052"-.062"	NLS-FX-5262	–

Swannecks Only Includes swanneck, PTFE collar, tip holder/diffuser.

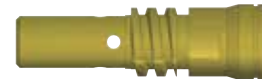
Description	DELTA-MIG® 3 Part No.	DELTA-MIG® 4 Part No.
Swanneck Threaded 60 degree, M8	014.9306	016.9109
Swanneck Threaded 45 degree, M8	014.9307	016.9110
Swanneck Threaded 22 degree, M8	014.9310	016.9114
Swanneck Threaded 60 degree short, M8	014.9305	016.9108
Swanneck Threaded HD 60 degree, M10	–	016.9106
Swanneck Threaded HD 45 degree, M10	–	016.9107
Swanneck Threaded HD 22 degree, M10	–	016.9115
Swanneck Threaded HD 60 degree short, M10	–	016.9105
Swanneck Collar PTFE	014.D746	016.D154
Swanneck Rubber Covering Bulk	109.9018	109.9019
O-Ring for Swanneck	165.0011	165.0011



Nozzles (5/pk)	DELTA-MIG® 3 Threaded	DELTA-MIG® 4 Threaded	DELTA-MIG® 4 Heavy Duty
1/2" ID Recess	145.D025	145.D243	–
5/8" ID Recess	145.D026	145.D244	145.D241
3/4" ID Recess	145.D021	145.D245	145.D242
9/16" ID Flush	145.D023	–	–
5/8" ID Flush	145.D022	–	–



H3T-8-C



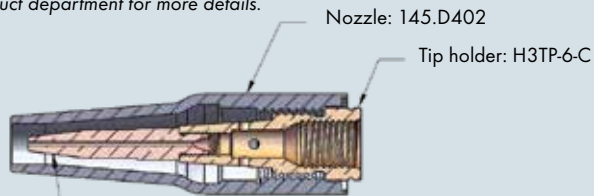
H4T-8-C

Tip holders (10/pk)

Description	DELTA-MIG® 3 Threaded	DELTA-MIG® 4 Threaded	DELTA-MIG® 4 Heavy Duty
Tip Holder/Diffuser M6 Tips (optional)	H3T-6-C	–	–
Tip Holder/Diffuser M8 Tips	H3T-8-C	H4T-8-C	H4T-8-C
Tip Holder/Diffuser M10 Tips (optional)	–	–	H4T-10-C

Opt. Tapered Consumables for DELTA-MIG® 3 STD & LW

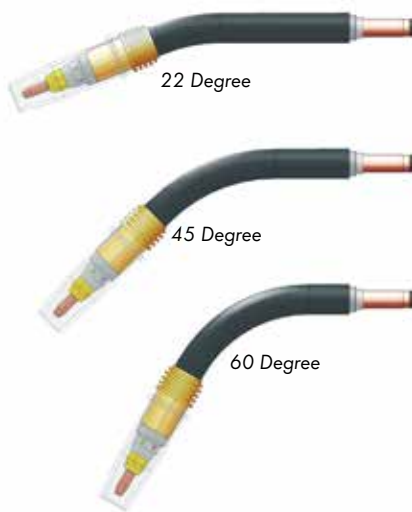
Call product department for more details.



Contact tip .030" M6 CU 173 P/N 140.1532
 Contact tip .035" M6 CU 173 P/N 140.1533
 Contact tip .045" M6 CU 173 P/N 140.1534
 Contact tip .035" M6 CZ Silver Plated 173 P/N 147.1609
 Contact tip .045" M6 CZ Silver Plated 173 P/N 147.1610

Slip-on

Swannecks Swanneck assemblies include swanneck, PTFE collar, tip holder/diffuser, contact tip, and nozzle.



Description	DELTA-MIG® 3	DELTA-MIG® 4
	Part No.	Part No.
Swanneck Assy SLIP-ON 60 degree	M3-60	M4-60
Swanneck Assy SLIP-ON 45 degree	M3-45	M4-45
Swanneck Assy SLIP-ON 22 degree	—	M4-22
Swanneck Assy SLIP-ON HD 60 degree	—	M4-60-HD
Swanneck Assy SLIP-ON HD 45 degree	—	M4-45-HD
Swanneck Assy SLIP-ON HD 22 degree	—	M4-22-HD
Swannecks Only Includes swanneck, PTFE collar, tip holder/diffuser.		
Swanneck SLIP-ON Standard & HD 60 degree	—	016.9134.US
Swanneck SLIP-ON Standard & HD 45 degree	—	016.9133.US
Swanneck SLIP-ON Standard & HD 22 degree	—	016.9132.US
Swanneck Covering Bulk	109.9018	109.9019
O-Ring for Swanneck	165.0011	165.0011



Nozzles (5/pk)

Description	DELTA-MIG® 3	DELTA-MIG® 4
	Slip-on	Slip-on
1/2" ID Recess Conical	145.0126	—
5/8" ID Recess Conical	145.0078	—
3/4" ID Recess Cylindrical	145.0045	—
13/16" Conical ID	—	145.0081
7/8" Cylindrical ID	—	145.0048



014.0026



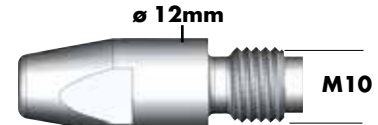
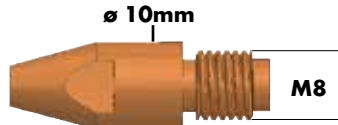
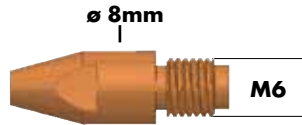
142.0024

Tip holders/Diffusers (10/pk)

Description	DELTA-MIG® 3	DELTA-MIG® 4
	Slip-on	Slip-on
Diffuser (white)	014.0261	—
Diffuser High Temperature (black)	014.0026	013.0030
Tip Holder Recessed M6 Tips	142.0005	—
Tip Holder Recessed M8 Tips	142.0020	142.0028
Tip Holder Recessed M10 Tips	—	142.9054.US
Tip Holder Flush M6 Tips	142.0011	—
Tip Holder Flush M8 Tips	142.0024	—

Consumables

Contact Tips



Style	Inch	Metric	DELTA-MIG® 3 M6 Part No.	DELTA-MIG® 3 M8 Part No.	DELTA-MIG® 4 M8 Part No.	DELTA-MIG® 4 M10 Part No.
Standard-Life Copper						
CU 069 Copper	.024	0.6	*140.0005	–	–	–
CU 069 Copper	.030	0.8	*140.0051	–	–	–
CU 069 Copper	.035	0.9	*140.0169	–	–	–
CU 069 Copper	.040	1.0	*140.0242	–	–	–
CU 069 Copper	.045	1.2	*140.0379	–	–	–
CU 069 Copper	.052	1.4	*140.0516	–	–	–
CU 069 Copper	.062	1.6	*140.0555	–	–	–
Long-Life Copper						
CZ 069 Copper Zirconium	.030	0.8	*140.0054	–	–	–
CZ 069 Copper Zirconium	.035	0.8	*140.0172	–	–	–
CZ 069 Copper Zirconium	.045	1.2	*140.0382	–	–	–
CZ 069 Copper Zirconium	.052	1.4	*140.0519	–	–	–
CZ 069 Copper Zirconium	.062	1.6	*140.0558	–	–	–
Ultra-Long-Life Copper CZ Silver Plated						
CZ 069 Silver Plated	.030	0.8	*147.0054	–	–	–
CZ 069 Silver Plated	.035	0.8	*147.0172	–	–	–
CZ 069 Silver Plated	.045	1.2	*147.0382	–	–	–
CZ 069 Silver Plated	.052	1.4	*147.0519	–	–	–
CZ 069 Silver Plated	.062	1.6	–	–	–	–
Standard-Life Copper						
CU 262 Copper	.030	0.8	–	140.0114	140.0114	–
CU 262 Copper	.035	0.9	–	140.0214	140.0214	–
CU 262 Copper	.040	1.0	–	140.0313	140.0313	–
CU 262 Copper	.045	1.2	–	140.0442	140.0442	–
CU 262 Copper	.052	1.4	–	140.0533	140.0533	–
CU 262 Copper	.062	1.6	–	140.0587	140.0587	–
CU 262 Copper	.078	2.0	–	–	140.0653	–
CU 262 Copper	.094	2.4	–	–	140.0677	–
Long-Life Copper						
CZ 262 Copper Zirconium	.030	0.8	–	140.0117	140.0117	–
CZ 262 Copper Zirconium	.035	0.9	–	140.0217	140.0217	–
CZ 262 Copper Zirconium	.040	1.0	–	140.0316	140.0316	–
CZ 262 Copper Zirconium	.045	1.2	–	140.0445	140.0445	–
CZ 262 Copper Zirconium	.052	1.4	–	140.0536	140.0536	–
CZ 262 Copper Zirconium	.062	1.6	–	140.0590	140.0590	–
CZ 262 Copper Zirconium	.078	2.0	–	140.0656	140.0656	–
Ultra-Long-Life Copper CZ Silver Plated						
CZ 262 Silver Plated	.030	0.8	–	147.0117	147.0117	–
CZ 262 Silver Plated	.035	0.9	–	147.0217	147.0217	–
CZ 262 Silver Plated	.040	1.0	–	147.0316	147.0316	–
CZ 262 Silver Plated	.045	1.2	–	147.0445	147.0445	–
CZ 262 Silver Plated	.052	1.4	–	147.0536	147.0536	–
CZ 262 Silver Plated	.062	1.6	–	147.0590	147.0590	–
CZ 262 Silver Plated	.078	2.0	–	147.0656	147.0656	–
Long-Life Copper						
CZ 403 Copper Zirconium	.035	0.9	–	–	–	**140.1248
CZ 403 Copper Zirconium	.040	1.0	–	–	–	**140.0348
CZ 403 Copper Zirconium	.045	1.2	–	–	–	**140.0481
CZ 403 Copper Zirconium	.052	1.4	–	–	–	**140.0547
CZ 403 Copper Zirconium	.062	1.6	–	–	–	**140.0616
CZ 403 Copper Zirconium	.078	2.0	–	–	–	**140.0665
CZ 403 Copper Zirconium	.094	2.4	–	–	–	**140.0698
Ultra-Long-Life Copper CZ Silver Plated						
CZ 403 Silver Plated	.045	1.2	–	–	–	**147.0481
CZ 403 Silver Plated	.052	1.4	–	–	–	**147.0547
CZ 403 Silver Plated	.062	1.6	–	–	–	**147.0616
CZ 403 Silver Plated	.094	2.4	–	–	–	**147.0698

* Optional, must use with H3T-6-C Tip Holder. ** Optional, must use with H4T-10-C.

Note: Oversized aluminum contact tips are also available. Please contact customer service for more information.

Neckliners and Liners



Neckliners	DELTA-MIG® 3	DELTA-MIG® 4
Description	Part No.	Part No.
Neckliner Steel .035"-.045"	NLS-3545	NLS-3545
Neckliner Steel .052"-.062"	NLS-5262	NLS-5262
* Neckliner Steel Flex Neck .035"-.045"	NLS-FX-3545	—
* Neckliner Steel Flex Neck .052"-.062"	NLS-FX-5262	—
* Neckliners are required for Flex Necks.		



Liners		DELTA-MIG® 3	DELTA-MIG® 4
Description	Wire size	Length	Part No.
Liner Steel Insulated	.035" - .045" (.9mm - 1.2mm)	17' (5M)	SI4-3545-17PT
Liner Steel Insulated	.052" - .062" (1.4mm - 1.6mm)	17' (5M)	SI4-5262-17PT
Liner Steel Insulated	.078" - .094" (2.0mm - 2.4mm)	17' (5M)	—
Liner Steel Insulated	.035" - .045" (.9mm - 1.2mm)	28' (8.5M)	SI4-3545-28PT
Liner Steel Insulated	.052" - .062" (1.4mm - 1.6mm)	28' (8.5M)	SI4-5262-28PT
Liner Steel Insulated	.078" - .094" (2.0mm - 2.4mm)	28' (8.5M)	—
Liner Combi PA	.035" - .045" (.9mm - 1.2mm)	17' (5M)	128.9047
Liner Combi PA	.052" - .062" (1.4mm - 1.6mm)	17' (5M)	128.9050
N/S Collet Spacer (required when using plastic liners)			130.9006

ABICOR BINZEL Anti-Spatter

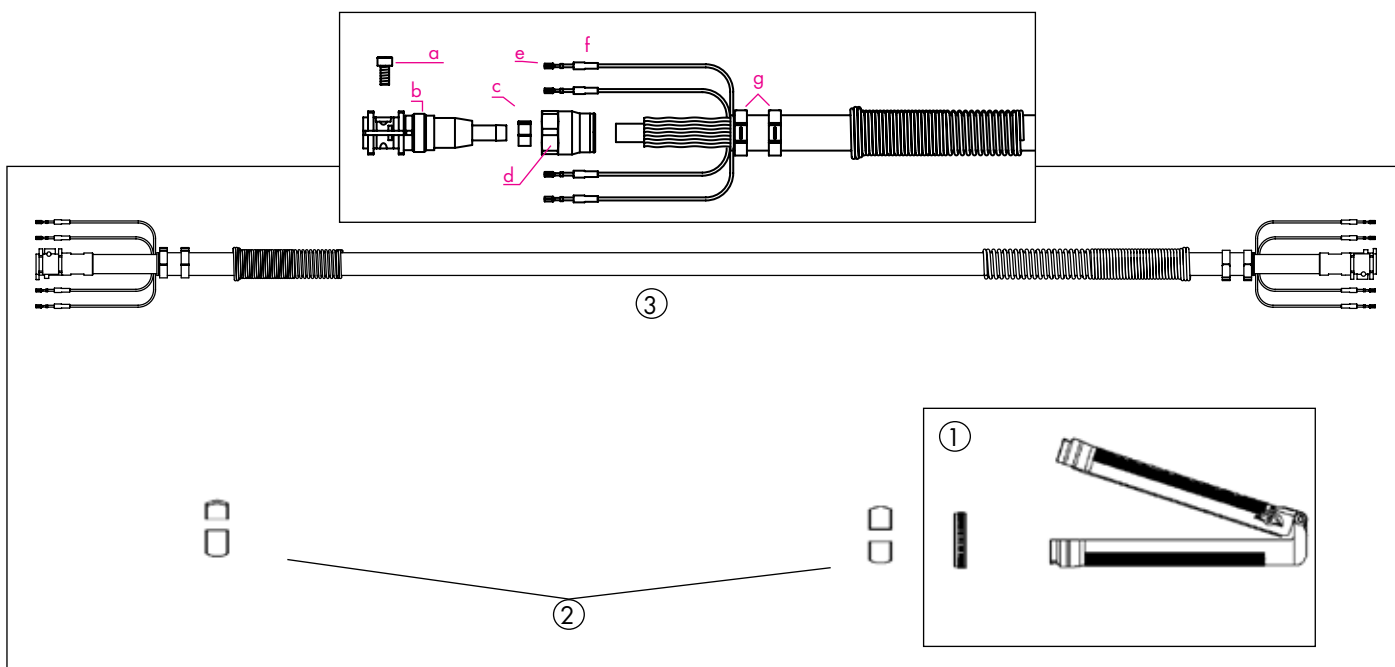


Product	Description	Volume	Item No.
Anti-Spatter Ceramic Spray	Aerosol ceramic anti-spatter coating. Thin coating creates a solid protective barrier against spatter on consumables, fixtures, and tools.	13.5 oz	192.0228.12
ABI-Spray	Aerosol anti-spatter evaporates quickly and is non-flammable. Can be painted over without cleaning the anti-spatter.	16 oz	192.8016
ABI-Shield	Water-based anti-spatter resistant to freezing and water washable. Available in spray bottle or by the gallon.	16 oz 1 gal 5 gal 55 gal	192.8012 192.8013 192.8014 192.8015
ABI-Gel	Nozzle tip dip extends the life of the consumables during welding operation. Spatter that forms inside nozzle doesn't adhere and is easily removable.	16 oz	192.8017

Try the Anti-spatter Ceramic Spray with the Ceramic Coating Cap! P/N 192.0256.1 (pictured aside)

DELTA-MIG® 3 & 4 MIG-Torch

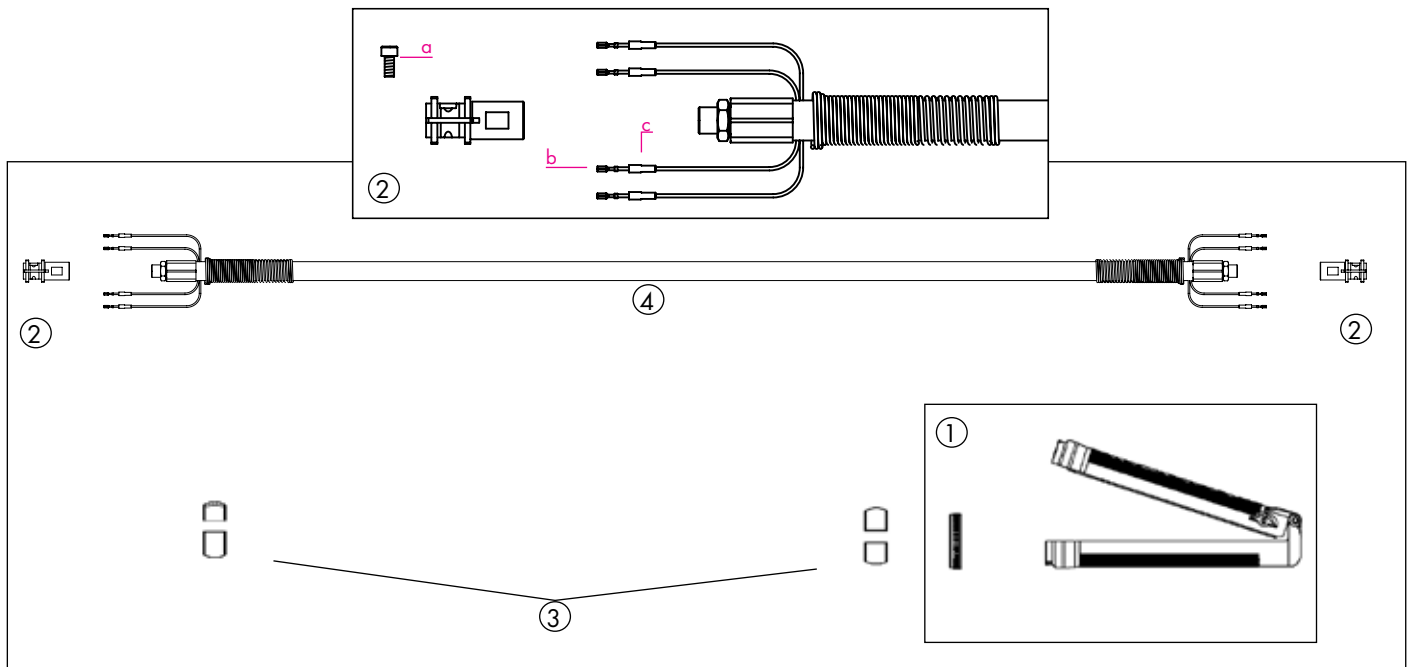
Parts List, Body-Cable Assembly



Item No.	Description	Part No.
1	Support rear end DELTA-MIG® 3&4	500.9071.US
2	Ball joint support half (4 required)	400.D451
3	DELTA-MIG® 3 Cable 10' (Incl. spring supports)	CD3-10
3	DELTA-MIG® 3 Cable 12' (Incl. spring supports)	CD3-12
3	DELTA-MIG® 3 Cable 15' (Incl. spring supports)	CD3-15
3	DELTA-MIG® 3 Cable 20' (Incl. spring supports)	CD3-20
3	DELTA-MIG® 3 Cable 25' (Incl. spring supports)	CD3-25
3	DELTA-MIG® 4 Cable 10' (Incl. spring supports)	CD4-10
3	DELTA-MIG® 4 Cable 12' (Incl. spring supports)	CD4-12
3	DELTA-MIG® 4 Cable 15' (Incl. spring supports)	CD4-15
3	DELTA-MIG® 4 Cable 20' (Incl. spring supports)	CD4-20
3	DELTA-MIG® 4 Cable 25' (Incl. spring supports)	CD4-25
a	Screw socket head M5x12 (2 required)	009.9017
b	Torch body compression Delta 3 (2 required)	400.9557.US
	Torch body compression Delta 4 (2 required)	400.9551.US
c	Hose clamp 1 1.3mm stepless (2 required)	171.9014.US
d	Cone nut power cable Delta 3 (2 required)	400.9556.US
	Cone nut power cable Delta 4 (2 required)	400.9550.US
e	Connector female for trigger wire (8 required)	175.0033
f	Insulator for connector (8 required)	400.0119
g	Clamp hose 21 mm stepless Delta 3 (2 required)	171.9012.US
	Clamp hose 22.6mm stepless Delta 4 (2 required)	171.9013.US

DELTA-MIG® 3 LW & 4 LW MIG-Torch

Parts List, Body-Cable Assembly



Item No.	Description	Part No.
1	Support rear end DELTA-MIG® 3&4	500.9071.US
2	Torch body LW DELTA-MIG® 3&4 (2 required)	400.9552.US
a	Screw socket head M5x12 (2 required)	009.9017
b	Connector female for trigger wire (8 required)	175.0033
c	Insulator for connector (8 required)	400.0119
3	Ball joint support half (4 required)	400.D451
4	DELTA-MIG® 3LW Cable 10' (Includes spring supports)	160.H400
4	DELTA-MIG® 3LW Cable 12' (Includes spring supports)	160.H401
4	DELTA-MIG® 3LW Cable 15' (Includes spring supports)	160.H402
4	DELTA-MIG® 3LW Cable 20' (Includes spring supports)	160.H403
4	DELTA-MIG® 3LW Cable 25' (Includes spring supports)	160.H404
4	DELTA-MIG® 4LW Cable 10' (Includes spring supports)	160.H405
4	DELTA-MIG® 4LW Cable 12' (Includes spring supports)	160.H406
4	DELTA-MIG® 4LW Cable 15' (Includes spring supports)	160.H407
4	DELTA-MIG® 4LW Cable 20' (Includes spring supports)	160.H408
4	DELTA-MIG® 4LW Cable 25' (Includes spring supports)	160.H409

Note: Lettered items are included with the complete cable assembly and are only available separately as replacement parts.

DELTA-MIG®

Handle Options



180.9089.US

180.9088.US

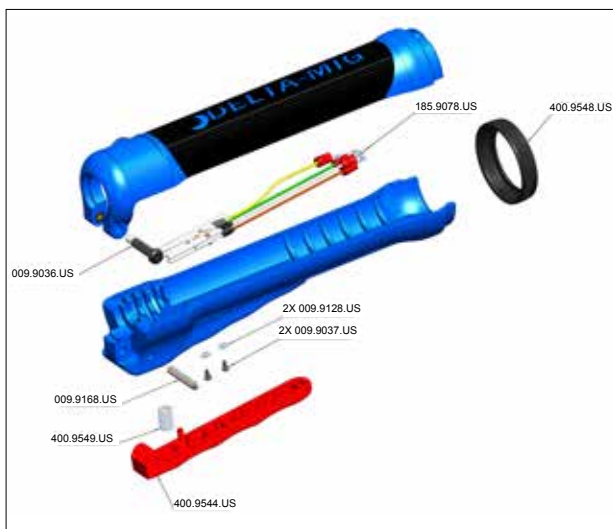
180.9087.US

180.9090.US



Handle w/Buried Trigger (Standard) 180.9089.US

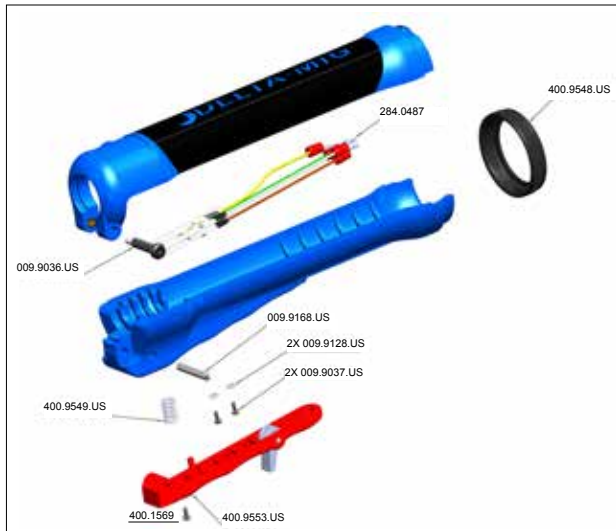
Replacement Parts	Part Number
Screw socket shoulder 5 x 24mm	009.9036.US
Pin dowel 4 x 24mm	000.9168.US
Spring coil	400.9549.US
Switch assembly	284.0487
Locking ring	400.9548.US
Washer flat M2	009.9128.US
Screw self-tapping M2x6mm	009.9037.US
Trigger lever standard *	284.0488
Screw plastic adjustable	400.1569



Handle w/Dual Schedule or Raised Trigger 180.9088.US

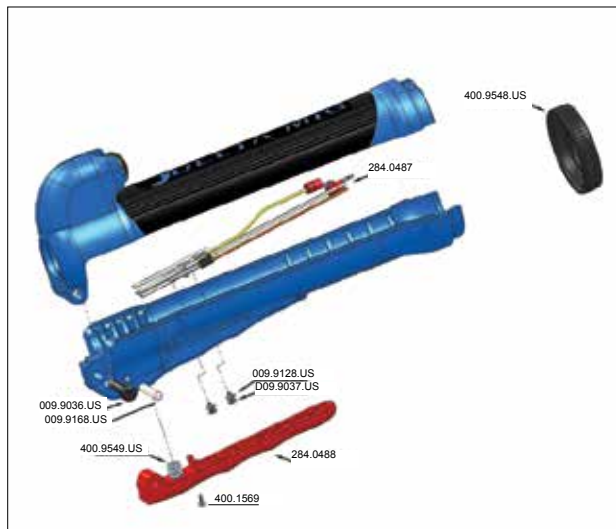
Replacement Parts	Part Number
Screw socket shoulder 5 x 24mm	009.9036.US
Pin dowel 4 x 24mm	000.9168.US
Spring coil	400.9549.US
Switch assembly	185.9078.US
Locking ring	400.9548.US
Washer flat M2	009.9128.US
Screw self-tapping M2x6mm	009.9037.US
Trigger lever raised dual schedule	400.9544.US

Handle Options



Handle w/Lock-out Trigger 180.9087.US

Replacement Parts	Part Number
Screw socket shoulder 5 x 24mm	009.9036.US
Pin dowel 4 x 24mm	000.9168.US
Spring coil	400.9549.US
Switch assembly	284.0487
Locking ring	400.9548.US
Washer flat M2	009.9128.US
Screw self-tapping M2x6mm	009.9037.US
Trigger lever lock-out assembly *	400.9553.US
Screw plastic adjustable	400.1569



Handle w/Locking Trigger 180.9090.US

Replacement Parts	Part Number
Screw socket shoulder 5 x 24mm	009.9036.US
Pin dowel 4 x 24mm	000.9168.US
Spring coil	400.9549.US
Switch assembly (See Note 1)	284.0487
Locking ring	400.9548.US
Washer flat M2	009.9128.US
Screw self-tapping M2x6mm	009.9037.US
Trigger lever standard *	284.0488
Screw plastic adjustable	400.1569

* The trigger lever is factory adjusted, and replacement requires field setting of 400.1569 which is ordered separately.

DELTA-MIG® AIR-COOLED

ORDERING INSTRUCTIONS FOR CONNECTOR KITS

CK	D	L	-	M	DS
Item	Torch Model	Liner Type		Feeder Model	Options
Item				Feeder Model	Options
CK - Connector kit				M - Miller internal gas E - Euro L - Lincoln 7 style external gas L1 - Lincoln 10 style L2 - Lincoln Powermig style HT - Hobart/Tweco 5/8" internal gas	* DS - Dual schedule 4 wire ** DS 1 - Dual schedule 3 wire
Torch Model					
D - DELTA					
Liner Type					

L - Large (Accepts SL4 series liners)

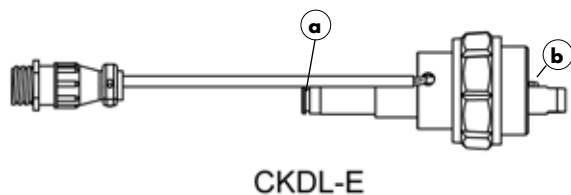
* Only available with feeder options L (Lincoln), L1 (Lincoln 10) and Miller.

** Only available with feeder option M (Miller).

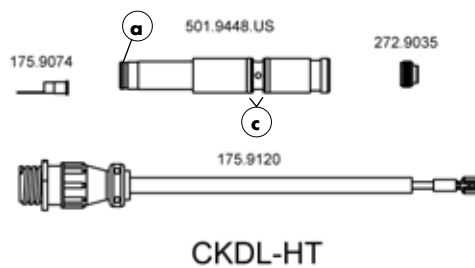
Connector Kits and Parts

Shown are the most popular connector kits.

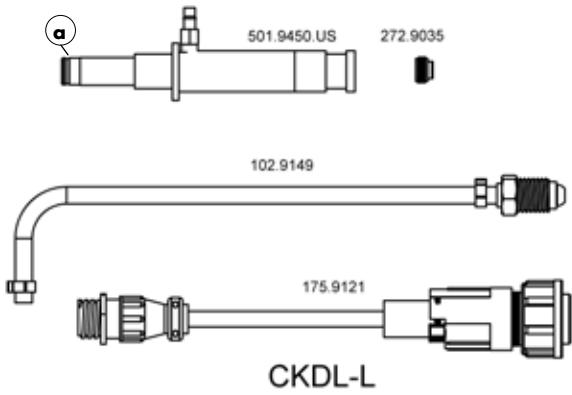
DELTA-MIG® Mig-Torch Direct Plug Connector Kit: Euro



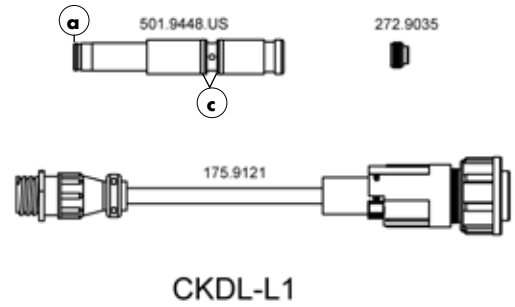
DELTA-MIG® Mig-Torch Direct Plug Connector Kit: Hobart/Tweco



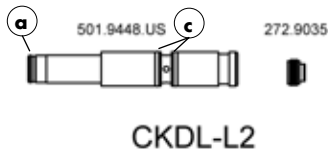
**DELTA-MIG® Mig-Torch Direct Plug Connector Kit:
Lincoln 7 Style External Gas**



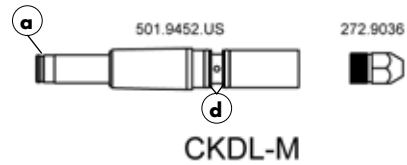
**DELTA-MIG® Mig-Torch Direct Plug Connector Kit:
Lincoln 10 Style**



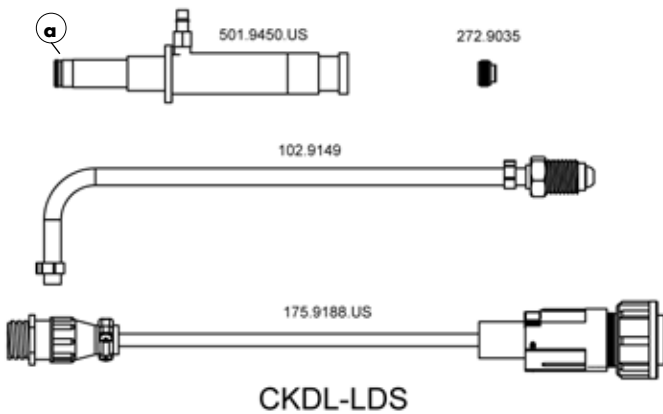
**DELTA-MIG® Mig-Torch Direct Plug Connector Kit:
Lincoln Powermig Style**



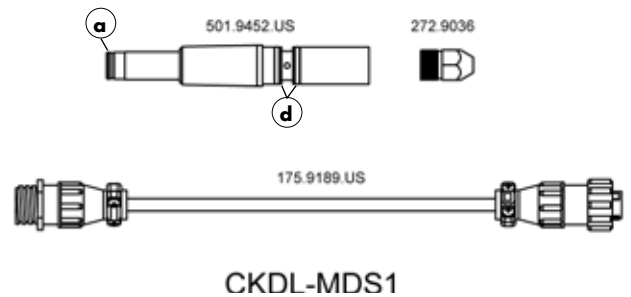
**DELTA-MIG® Mig-Torch Direct Plug Connector Kit:
Miller Internal Gas**



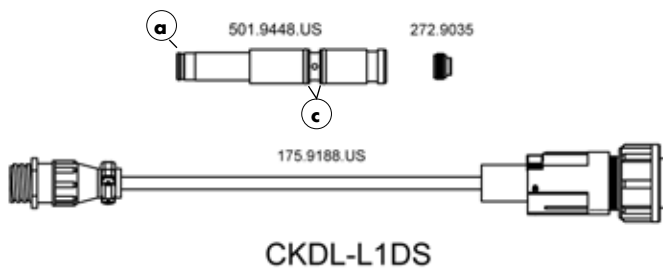
**DELTA-MIG® Mig-Torch Direct Plug Connector Kit:
7 Style Lincoln External Gas w/Dual Schedule 4-wire**



**DELTA-MIG® Mig-Torch Direct Plug Connector Kit:
Miller Internal Gas w/Dual Schedule 3-wire**



**DELTA-MIG® Mig-Torch Direct Plug Connector Kit:
Lincoln 10 Style w/Dual Schedule 4-wire**



Replacement O-Rings

Item	Description	Part No.
a	9 x 1.5mm	165.0011
b	4.16 x 1.07mm	165.0002
c	12.7 x 1.78mm (2 req.)	165.0025
d	13.46 x 2.08mm (2 req.)	165.9006



Binzel S.A DE C.V.
Municipio Pabellon de Arteaga 102
Valle De Aguascalientes, 20358
San Francisco de los Romo, Ags. Mexico
Phone: +52(499) 973.0133
Fax: +52(499) 973.1388
E-Mail: info@binzel.com.mx



ABICOR BINZEL USA, Inc.
650 Medimmune Court, Suite 110
Frederick, MD 21703
Phone: 800.542.4867
Fax: 301.846.4497
E-Mail: customerservice@abicorusa.com

www.binzel-abicor.com